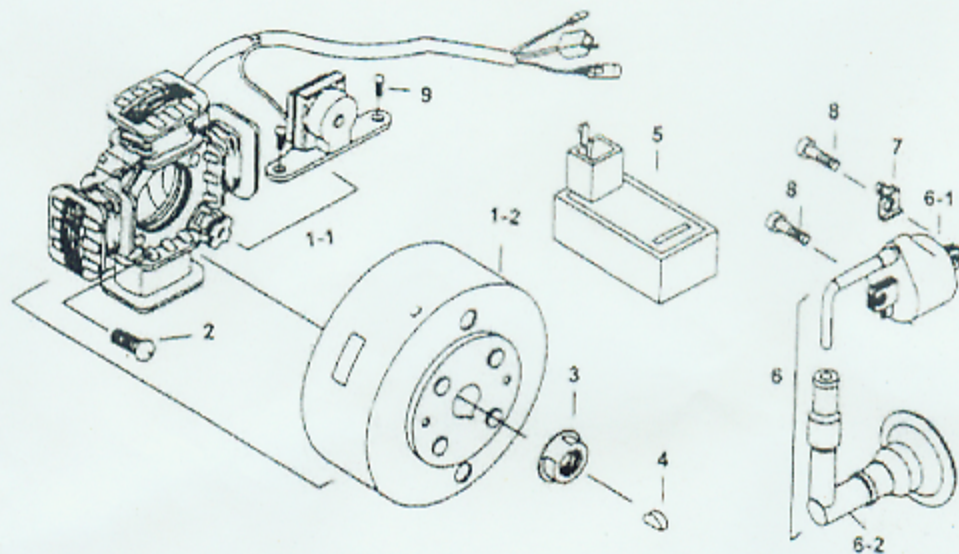
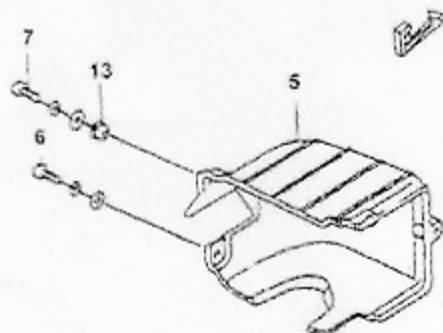
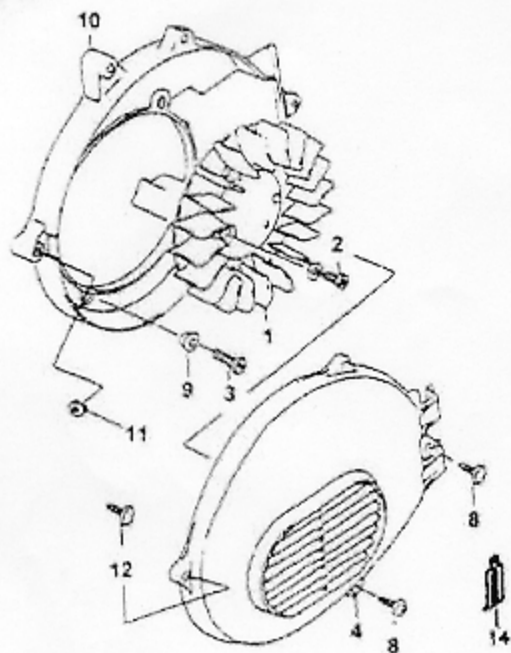


# FLYWHEEL MAGNETO AND IGNITION COIL



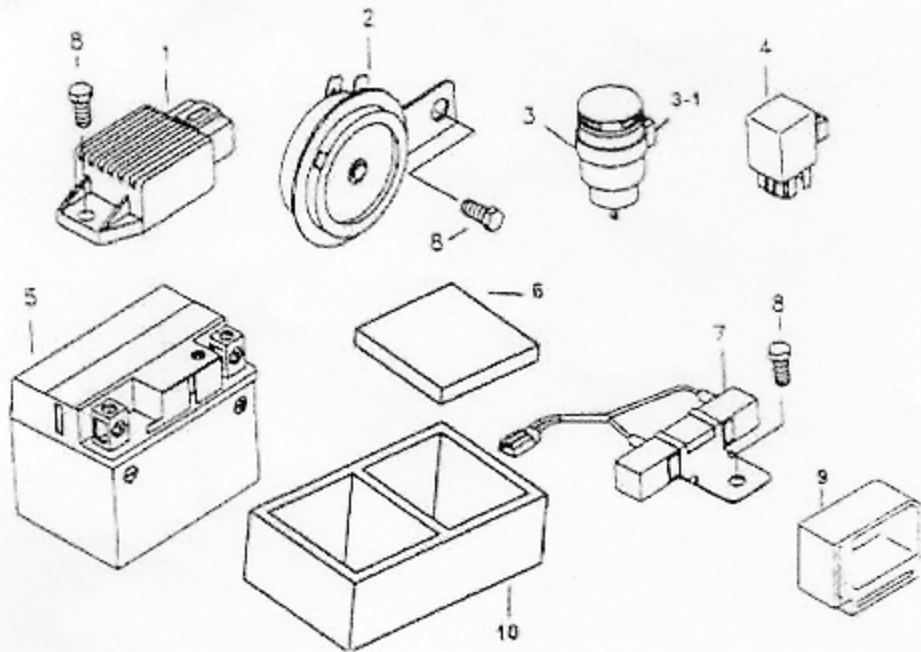
Part Number	Description
1	FLYWHEEL MAGNETO ASSY
GE5139901	
1-1	STATOR ASSY
GE5139904	
1-2	ROTOR ASSY
GE5139905	
2	SCREW, SOCKET HEAD M6X25
S79603	
4	KEY
GA501KY01	
5	C.D.I.
GE5139902	
6	COIL ASSY, IGNITION
GE5139903	
6-1	COIL SET, IGNITION
GE5139906	
6-2	CAP SET, SPARK PLUG
GE513RB01	
7	EARYH TERMINAL
440564	
8	SCREW, SOCKET HEAD M6X20
S70607	
9	SCREW, SOCKET HEAD
S79503	

# COOLING FAN



Part Number	Description
1 GA608PL10	FAN,COOLING
10 GE508PL14	CASE,FAN
11 420009	SPACER
12 GA509SC20	SCREW,TAPPING M6X25
13 427006	WASHER
14 GA501SR01	CLAMP
2 S79602	SCREW,SOCKET HEAD M6X16
3 S70609	SCREW,SOCKET HEAD M6X16
4 GA608PL11	COWLING,FAN
5 GA6089905	COWLING,CYLINDE
6 S71602	SCREW,SOCKET HEAD M6X40
7 S71601	SCREW,SOCKET HEAD M6X20
8 GA509SC02	SCREW,TAPPING M6X20
9 GA509WS05	WASHER 6X13X6

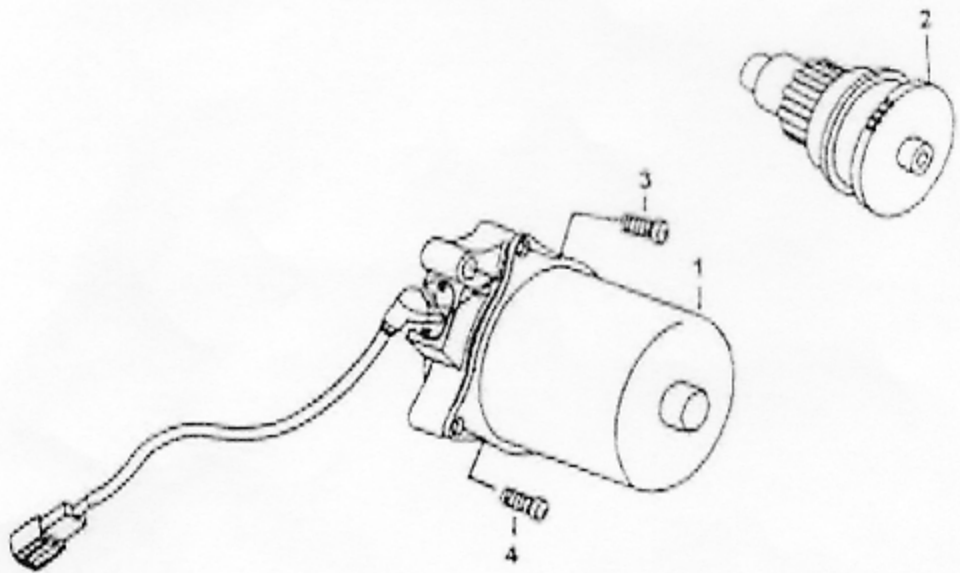
# BATTERY, HORN, RELAY, RECTIFIER



Part Number	Description
1 GA5140001	RECTIFIER ASSY
10 440767	CUSHION ,BATTERY
2 GF5149906	HORN ASSY
3 440800A	RELAY, TURN SIGNAL
3-1 440745	BUSH,RUBBER
4 GA5100004	RELAY, STARTING MOTOR
5 GA5140003	BATTERY, 4AH
6 GF514TH02	CUSHION ,BATTERY
7 400587	RESISITOR
8 GA510SC03	SCREW, HEX HEAD M6X16
9 GE514RB02	BUSH,RUBBER

4

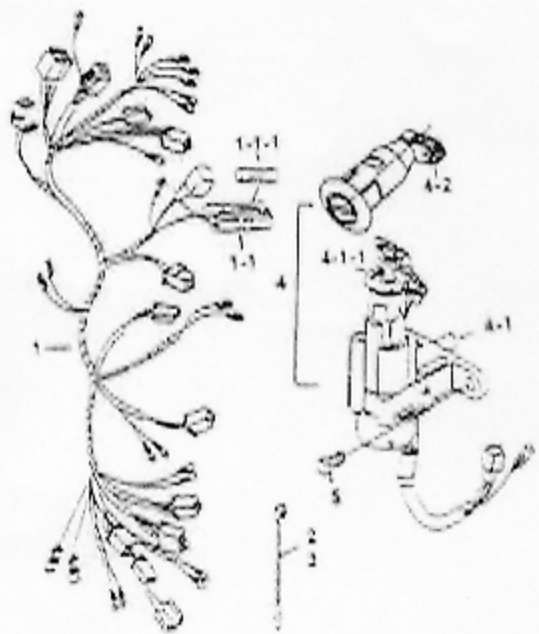
# STARTING MOTOR



Part Number	Description
1 GA9029901	MOTOR ASSY, STARTING
2 GA9029902	PINION GEAR ASSY
3 S70602	SCREW, SOCKET HEAD M6X25
4 S70603	SCREW, SOCKET HEAD M6X30

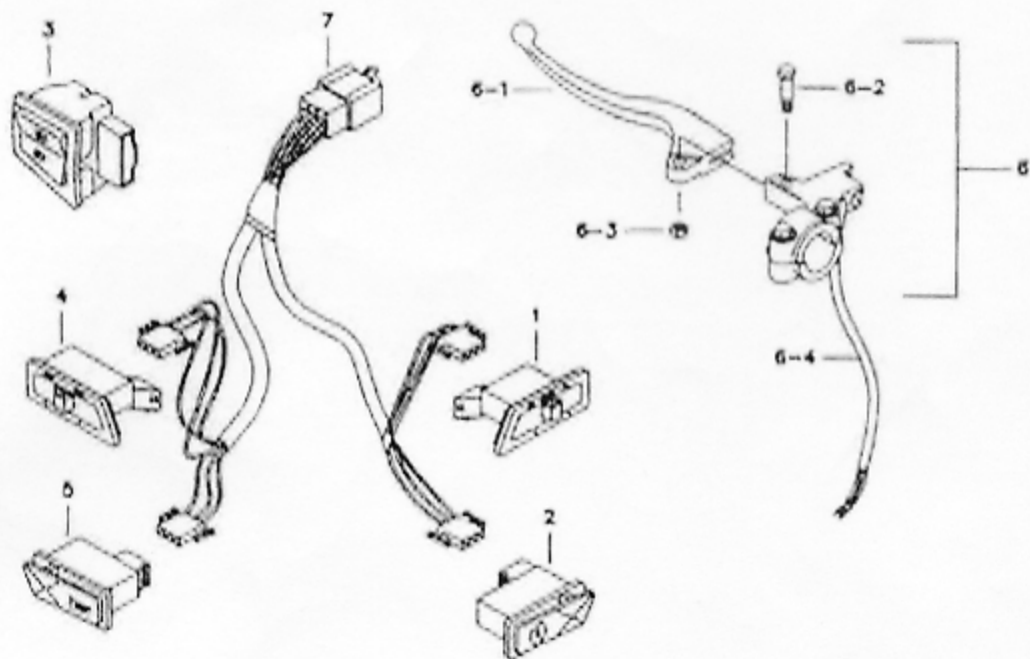
5

# WIRING HARNESS AND LOCK SET



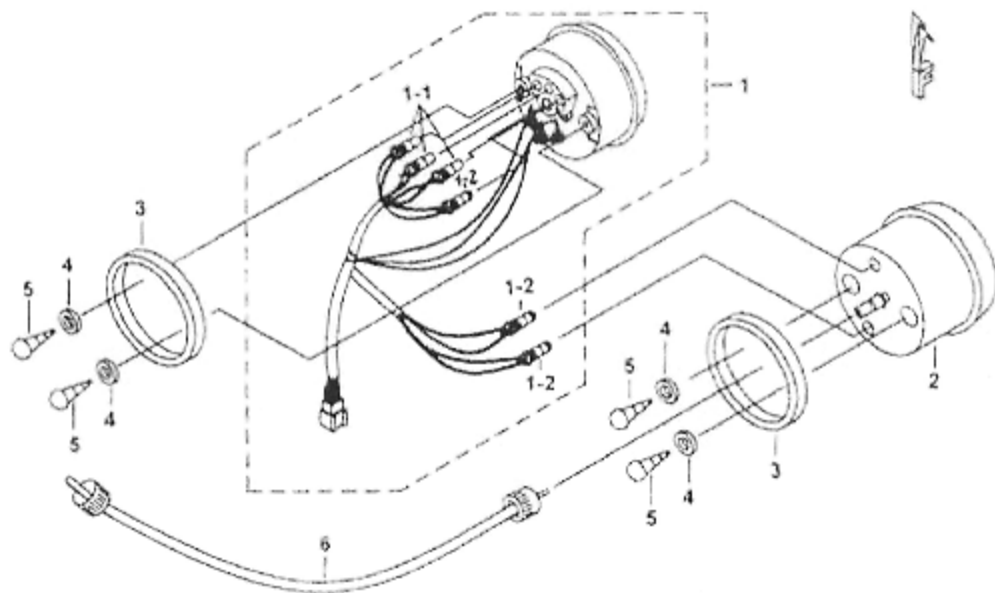
Part Number	Description
<b>1</b> 440786	WIRING HARNESS
<b>1-1</b> GF5159906	CASE SET, FUSE
<b>1-2</b> GF5159907	FUSE 7A 76X30
<b>2</b> 400535	CLAMP 13X300L
<b>3</b> GA510SR02	CLAMP L200
<b>4</b> 440795	LOCK ASSY
<b>4-1</b> 440794	LOCK SET,STEERING
<b>4-1-1</b> BH115PL01	CAP,INDICATOR
<b>5</b> S71603	BOLT,BREAKABLE,HEX HEAD M6X20

# HANDLE BAR SWITCH



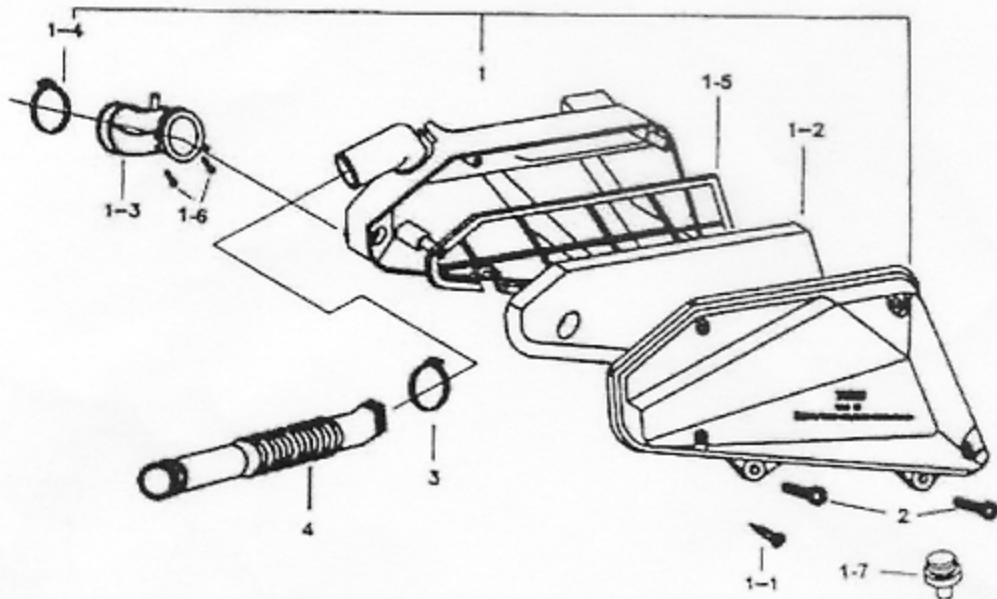
Part Number	Description
1 400590	LIGHTING, SWITCH UNIT
2 400591	STARTER SWITCH UNIT
3 400592	DIMMER SWITCH UNIT
4 400593	WINKER SWITCH UNIT
5 400594	HORN SWITCH UNIT
6 400597	LEFT HANDLE BRACKET ASSY.
6-1 413212	LEVER, HANDLE BAR, LH.
6-2 S04501	BOLT, HEX HEAD
6-3 N01501	NUT, SELFLOCK
6-4 413211	SWITCH ASSY., BRAKE
7 440710	HANDLE SWITCH UNIT, WIRING HARNESS

# SPEEDOMETER



Part Number	Description
1	GAUGE ASSY, FUEL LEVEL
410195	
1-1	BULB (12V, 1.7W)
GA5520009	
1-2	BULB (12-1.7W)
410154	
3	PACKING, RUBBER
GE516RB01	
4	WASHER
W99602	6.5X12X1.0
5	SCREW, SOCKET HEAD M6X16
GA510SC01	
6	SPEEDOMETER CABLE
402127	

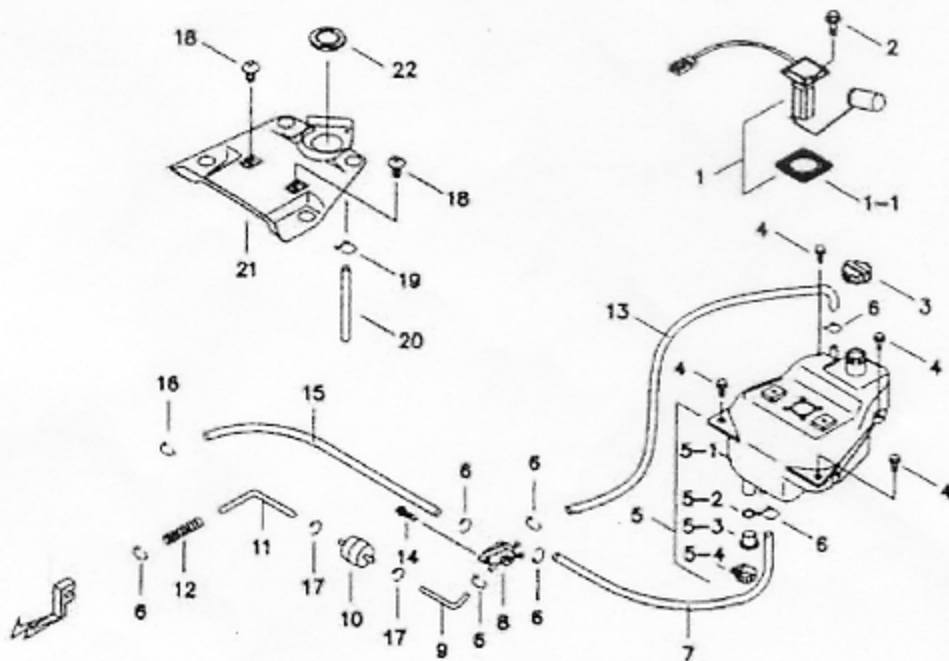
# AIR CLEANER



Part Number	Description
<b>1</b> 420001	AIR CLEANER ASSY.
<b>1-1</b> S51502	SCREW, TAPPING M5X20
<b>1-2</b> 420031	FILTER
<b>1-3</b> 420003	TUBE, OUTLET
<b>1-4</b> 422039	CLAMP. 738
<b>1-5</b> 420041	DIVISION PLATE
<b>1-6</b> S50402	SCREW, PAN HEAD
<b>2</b> S70603	SCREW, SOCKET HEAD M6X30
<b>3</b> 422037	CLAMP ?32
<b>4</b> GA904PL09	DUCT, COOLING



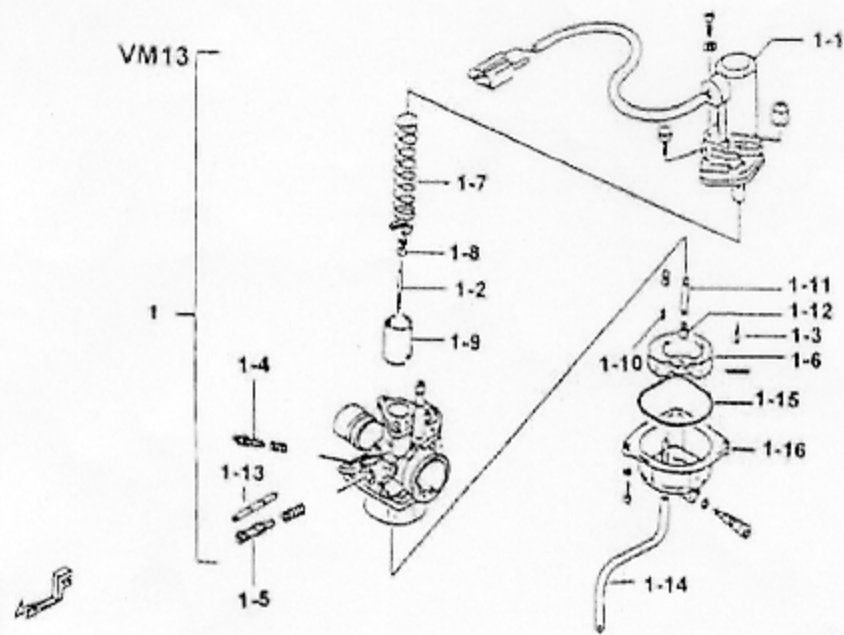
# FUEL TANK



Part Number	Description
1 401813	GAUGE ASSY,FUEL LEVEL
10 GA5539904	FILTER, FUEL
1-1 401710	GASKET
12 GA553SP01	SPRING 15X140X0.8
13 410187	HOSE,NEGATIVE PRESSURE
14 GA553SC01	BOLT,HEX HEAD M6X1.0
15 BH121PP01	HOSE,NEGATIVE PRESSURE
16 GA553SR04	CLIP,NEGATIVE PRESSURE HOSE 7.5X0.8
17 R36901	CLIP #9.5
18 GA555SC02	SCREW, AN HEAD
19 GA553SR02	CLIP
2 S07501	BOLT,HEX HEAD M5
20 GA553PP02	HOSE
21 412123	ORNAMENTAL SHIELD
22 GA553RB02	RUBBER,FUEL TANK INLET
3 402133	COVER, FUEL TANK
4 GA555SC05	BOLT, FLANGE M6X16
5 412100	FUEL TANK COMP.
5-1 412114	FUEL TANK
5-2 412115	O RING
5-3 412110	PLUG
5-4 R60201	CLIP #25
6 R36801	CLIP #8.5
7 412113	HOSE
8 GA5539902	COCK ASSY,FUEL

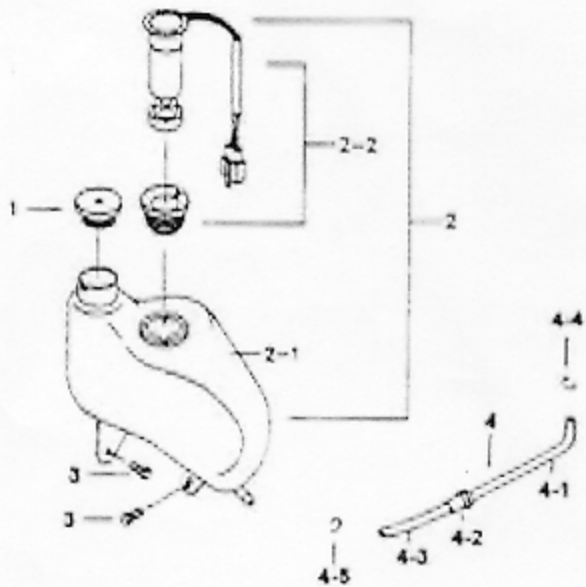
10

# CARBURETOR



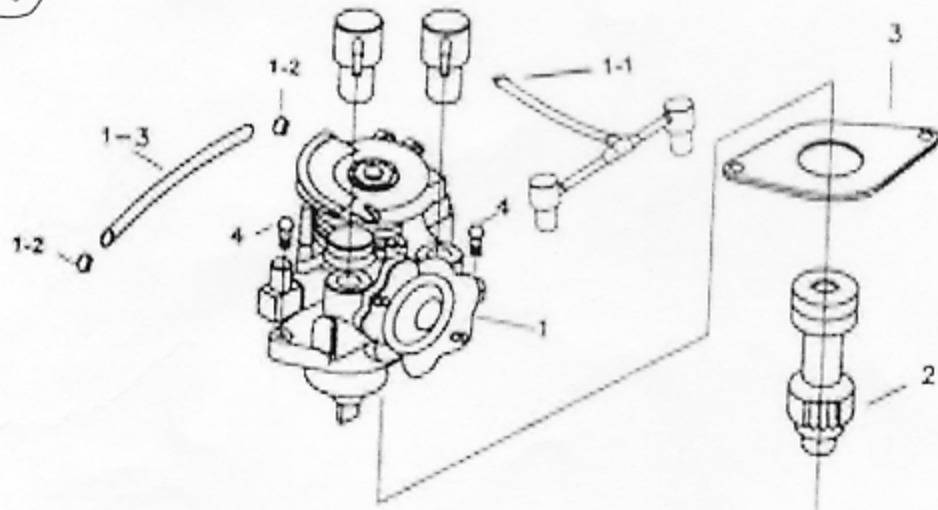
Part Number	Description
1 424026	CARBURETOR ASSY.
1-1 GA5089905	ELEMENT ASSY., THERMO
1-10 GA508CU13	IDLE JET
1-11 424014	HOSE
1-12 GA508CU01	MAIN JET M.J.60
1-13 425016	CHECK VALVE
1-14 424018	CARBURETOR DRAIN TUBE
1-15 424031	WASHER, CARBURETOR
1-16 424043	CHAMBER SET, FLOAT
1-2 GA508AL01	NEEDLE, JET
1-3 GA508FE05	VALVE, NEEDLE
1-4 GA5089907	SCREW SET, AIR
1-5 GA5089908	SCREW SET, IDLE SPEED
1-6 GA508PL10	FLOAT
1-7 424011	SPRING
1-8 424012	C CLAMP
1-9 424013	VALVE, THROTTLE

# OIL TANK



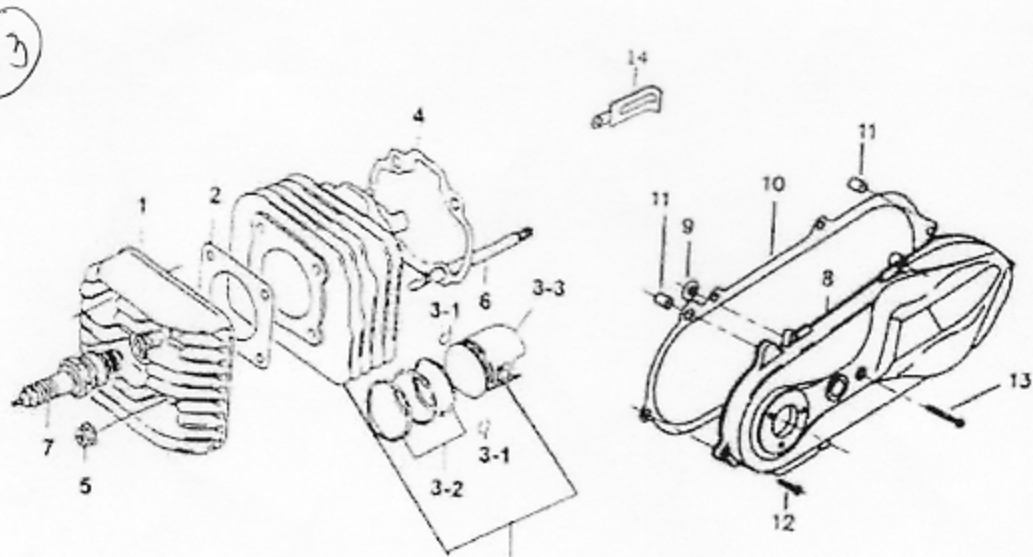
Part Number	Description
1 GA553RB05	CAP,OIL TANK
2 412200	OIL TNK COMP.
2-1 412201	OIL TANK
2-2 BH1229901	SWITCH ASSY,OIL LEVEL
3 GA556SC01	BOLT, FLANGE M6X12
4-2 425005	OIL OLEANER
4-4 R36801	CLIP ?8.5
4-5 R50901	CLIP ?9.5

# OIL PUMP



Part Number	Description
1 425037	OIL PUMP COMP.
1-1 425038	CHECK VALVE
1-2 R36501	CLIP
1-3 GA605PP02	HOSE OIL
2 GA508PL01	GEAR, OIL PUMP DRIVEN
3 GA508PK02	GASKET, OIL PUMP
4 S79501	SCREW, SOCKET HEAD M5X16

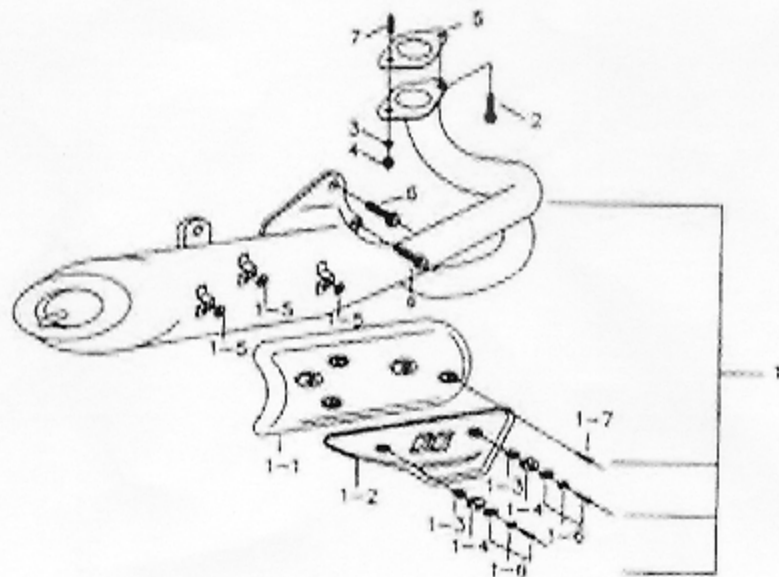
# CYLINDER AND CRANK CASE COVER



Part Number	Description
<b>1</b> GA504AL01	HEAD,CYLI
<b>10</b> GE501PK10	GASKET,CL COVER
<b>11</b> GA504PN01	PIN,DOV 8.5X11X
<b>12</b> S70610	SCREW,SC HEAD M6
<b>13</b> S70611	SCREW,SC HEAD M6
<b>14</b> GA501SR01	CLAMI
<b>2</b> GA504PK01	GASKET,CYL HEAD
<b>3</b> GA5049911	CYLIND SET,WI PISTON,PI RING AI CIRCLI

# MUFFLER

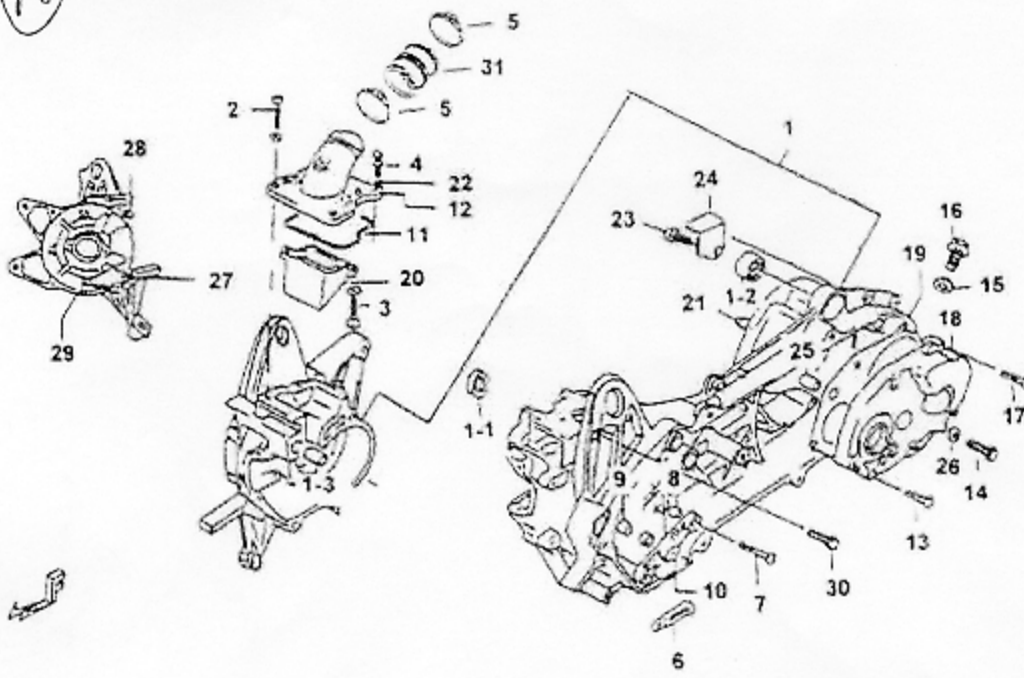
Part Number	Description
<b>1</b> 426039	MUFFLER COMP.
<b>1-1</b> 426040	COVER,MUFFLER (INSIDE)
<b>1-2</b> 426041	COVER,MUFFLER (OUTSIDE)
<b>1-3</b> 426043	SPACER
<b>1-4</b> 426044	CUSHION,MUFFLER COVER
<b>1-5</b> W99703	WASHER 7X16X2
<b>1-6</b> 426042	SCREW SET, MUFFLER
<b>1-7</b> S45605	SCREW, OVAL HEAD M6X12
<b>2</b> S96601	SCREW, SPECIAL
<b>3</b> GA504WS04	WASHER, SPRING M6
<b>4</b> GA509NT01	NUT, HEX HEAD M6
<b>5</b> GA509PK01	GASKET, EXHAUST PIPE
<b>6</b> S21002	BOLT, FLANGE 10X30XP1.5
<b>7</b> GA509SC06	STUD M6X25



74

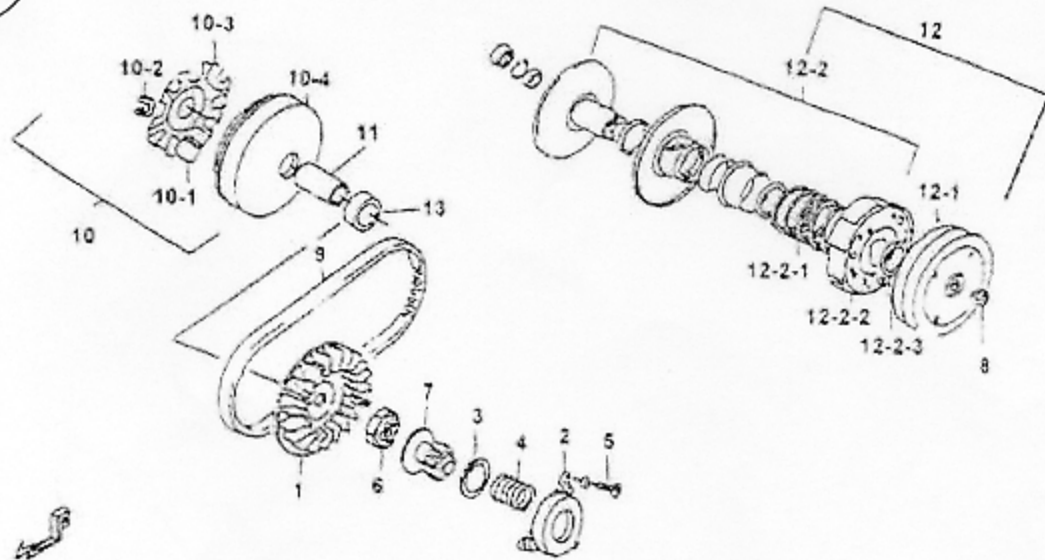
# CRANK CASE

15



Part Number	Description
<b>1</b> GE5020003	CRANK CASE
<b>10</b> GA6029905	CAP SET, STA IDLE GE#
<b>11</b> 421008	GASKET, INTA
<b>1-1</b> GL502BR01	BEARING 17X
<b>12</b> 421001	INTAKE PIPE
<b>1-2</b> GA5049904	BUSH COM
<b>13</b> S70602	SCREW, SOCKE M6X25
<b>1-3</b> GA504PN01	PIN, DOW 8.5X11X:
<b>14</b> GA904SC12	BOLT, FLANGE
<b>15</b> GA504WS02	GASKET 8X1
<b>16</b> GA504SC12	BOLT, FLANGE
<b>17</b> S70603	SCREW, SOCKE M6X30
<b>18</b> GA602AL07	COVER, GEAI
<b>19</b> GA504PK05	GASKET, GEAI COVER
<b>2</b> S79601	SCREW, SOCKE M6X20
<b>20</b> GA5049907	VALVE ASSY.
<b>21</b> GA504PN03	PIN, BRAKE S
<b>22</b> GA504WS04	WASHER, SPRI
<b>23</b> GA557SC15	BOLT, HEX H M6X10 (FOR
<b>24</b> GA557PS01	BRKT, REAR E
<b>25</b> GA504PN01	PIN, DOW 8.5X11X:
<b>26</b> W99601	WASHER
<b>27</b> S70606	SCREW, SOCKE M6X80
<b>28</b> S70605	SCREW, SOCKE M6X85
<b>29</b> S70601	SCREW, SOCKE M6X45
<b>3</b>	SCREW, SOCKE

# CONTINUOUS VARIABLE TRANSMISSION

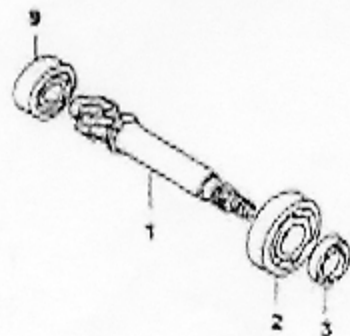
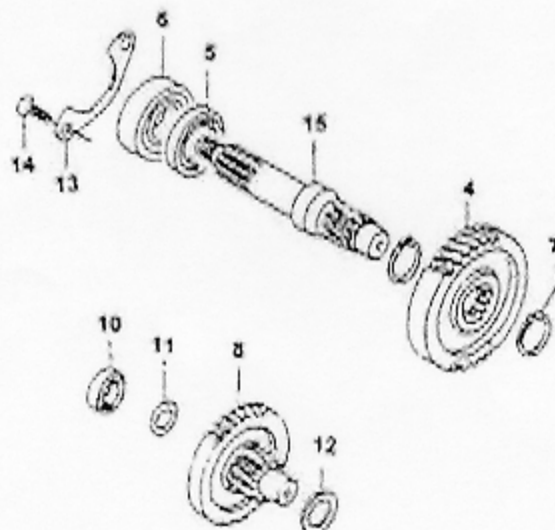


Part Number	Description
<b>1</b> GA906AL01	FACE, FIX DRIVE
<b>10</b> 490048	PULLEY AS DRIVE
<b>10-1</b> 490045	ROLLER CC
<b>10-2</b> PG289931	GUIDE, MOV DRIVE FA PLAET
<b>10-3</b> 490044	PLATE, FI DRIVE
<b>10-4</b> 490041	FACE COMP., DR MOVABL
<b>11</b> A02806FE01	SPACEF
<b>12</b> 490291	PULLEY CC DRIVEN
<b>12-1</b> PG289933	HOUSIN COMP., CLU
<b>12-2</b> 490051	PULLEY AS DRIVEN
<b>12-2-1</b> PT506SP02	SPRING, MOV DRIVEN F/
<b>12-2-2</b> PT5069902	CLUTCH ASSY., SH
<b>12-2-3</b> RT406NT03	NUT, HEX I
<b>13</b> GA506BS02	SPACER 2
<b>2</b> GA906FE01	HOLDER, K DRN GE/ SPRING
<b>3</b> GA506WS02	WASHEI 30X35X0
<b>4</b> GA506SP01	SPRING 30.5X24
<b>5</b> S79502	SCREW, SO HEAD M5)
<b>6</b> GA906FE04	STARTER, K RH.
<b>7</b> GA5069904	STARTE SET, KICK
<b>9</b> GES06RB01	V-BELT, DR



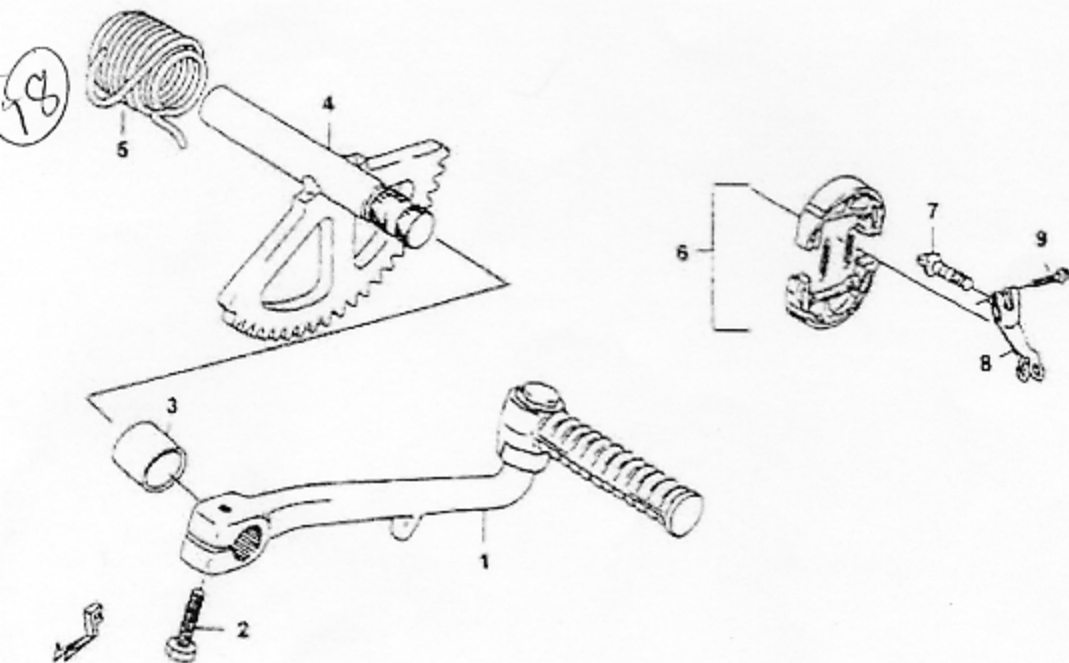
# REDUCING GEAR

97



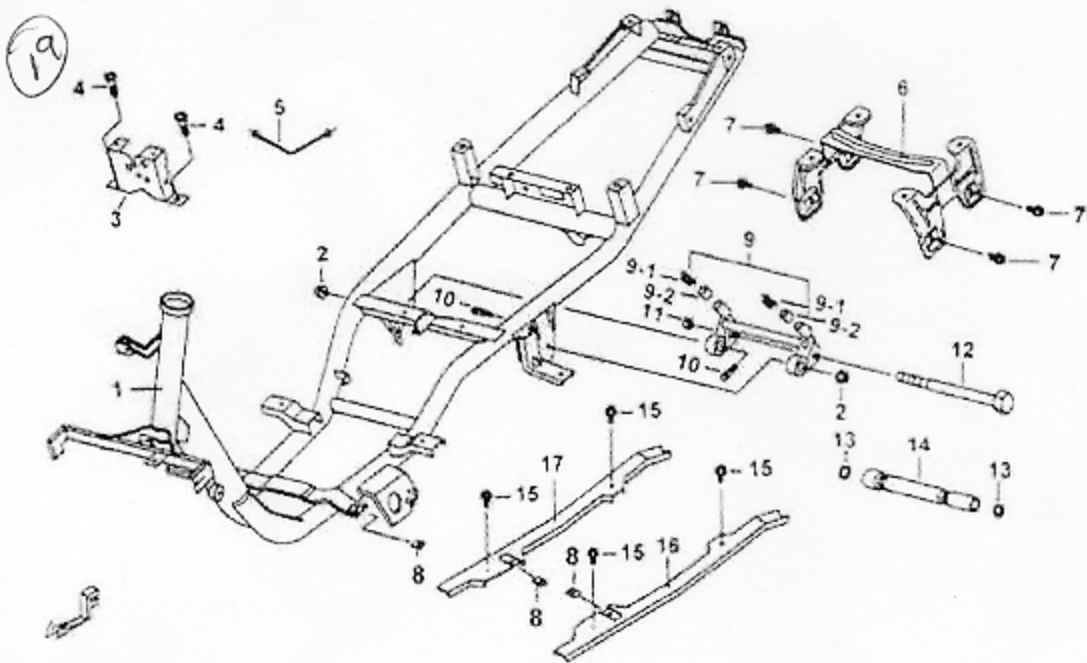
Part Number	Description
1 427509B	SHAFT,DRIVE 12T
10 GA507BR02	BEARING,IDLER RH. 12X32X10
11 GA507WS01	WASHER,IDLER SHAFT,RH. 12X20X1.0
12 GA507WS02	WASHER,IDLER SHAFT,LH. 16X30X1
13 GA507FE04	RETAINER,REAR AXLE BEARING
14 GA507SC01	SCREW,BEARING RETAINER M6X16
15 GE510FE02B	SHAFT,REAR AXLE
2 GA507BR04	BEARING,DRIVE SHAFT,LH. 17X47X14
3 GA507OS01	OIL SEAL,DRIVE SHAFT 17X27X5
4 GA507FE03B	GEAR,FINAL DRIVEN 41T
5 GA507OS02	OIL SEAL,REAR AXLE 27X40X6
6 GA507BR06	BEARING,REAR AXLE,RH. 20X47X14
7 GA507SR02	CIRCLIP,FINAL DRIVEN GEAR ? 22
8 GL5109901B	SHAFT COMP.,IDLE 49TX11T
9 GA507BR03	BEARING,DRIVE SHAFT,RH. 12X32X10

# KICK STARTER



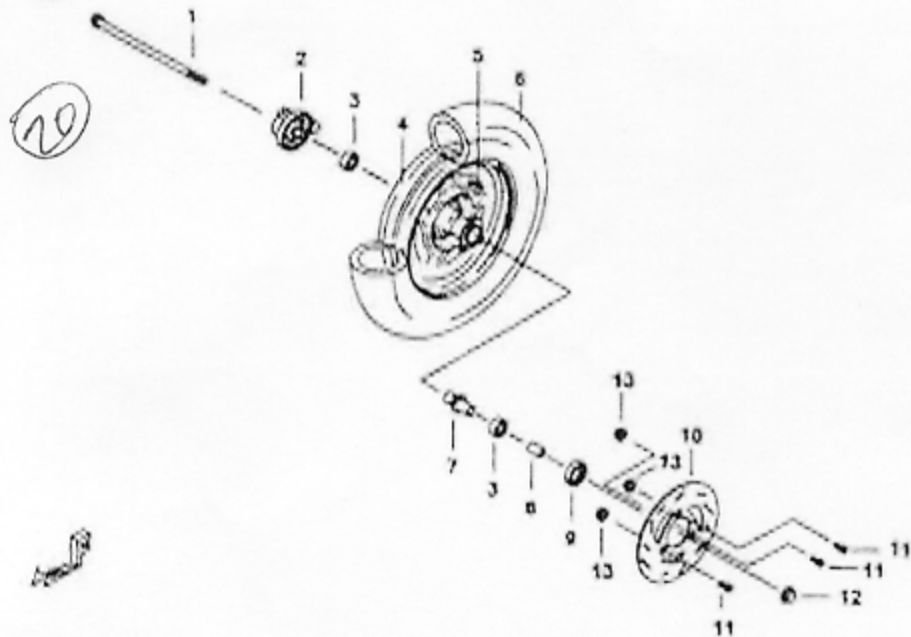
Part Number	Description
1 GA9059911	KICK LEVER
2 GA905SC01	BOLT, HEX HEAD M6X22
3 GA505BS05	BUSH, KICK STARTER SHAFT
4 GA5059910	SHAFT COMP., STARTER
5 GA505SP01	SPRING, KICK STARTER SHAFT
6 GA5580012	LINING SET, REAR BRAKE
7 GI534FE01	CAM, REAR BRAKE
8 GI534FE02	LEVER, REAR BRAKE
9 GA558SC05	BOLT, HEX HEAD M6X28

# FRAME



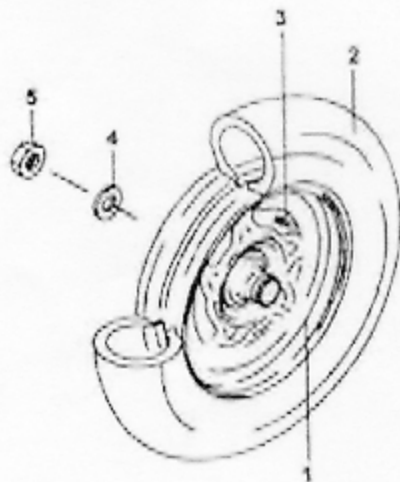
Part Number	Description
<b>1</b> 411914	FRAME COM
<b>10</b> S06101	BOLT,HANG
<b>11</b> N25201	NUT, SELFLOCK
<b>12</b> S21203	BOLT,HEX HEAD
<b>13</b> R00701	RETAINER RING TYPE F16
<b>14</b> BH102FE01	SLEEVE,HANG
<b>15</b> GA556SC01	BOLT, FLANGE HEAD
<b>16</b> 402135	L RNFCT FLOOR
<b>17</b> 402136	R RNFCT FLOOR
<b>2</b> GA551NT01	NUT,SELFLOCKING M10X11
<b>3</b> BH1199904	LOCK SET,STEERING
<b>4</b> GA556SC01	BOLT, FLANGE HEAD
<b>5</b> 410150	CABLE,LOCK SET
<b>6</b> 410177	BRKT ASSY
<b>7</b> GA551SC02	BOLT, HEX HEAD
<b>8</b> N32601	NUT, SPRING MOUNT
<b>9</b> BH1199903	ROCKER ARM ASSY,HANG
<b>9-1</b> GI519SP01	SPRING,COMPRESSOR
<b>9-2</b> GI519RB01	DAMPER,RUBBER

# FRONT WHEEL



Part Number	Description
1 GI529FE01	SHAFT, FRONT WHEEL 12X218
10 410161	DISC, BRAKE F190 (SELECTION)
11 S72001	BOLT, SOCKET, M10X20L
12 N25201	NUT, SELFLOCK M12
13 GA551NT01	NUT, SELFLOCK M10X11
2 GI5299901	GEAR COMP., SPEEDOMETER
3 GI529BR01	BEARING 12X32X10
4B GI5290005OR	RIM COMP, FRONT WHEEL 3.5-12 (SELECTION) ORANGE
5 GF5299901	INLET COMP, AIR
7 GI5299902	COLLAR SET
8 GI529BS01	COLLAR
9 GI529OS01	OIL SEAL 18X35X7

# REAR WHEEL



Part Number	Description
3 GF5299901	INLET COMP, AIR
4 GA558WS01	WASHER 12X20X1.0
5 GA558NT03	NUT,SELFLOCK M16X14

21

4-16